

Mainsails

Name _____

Address _____

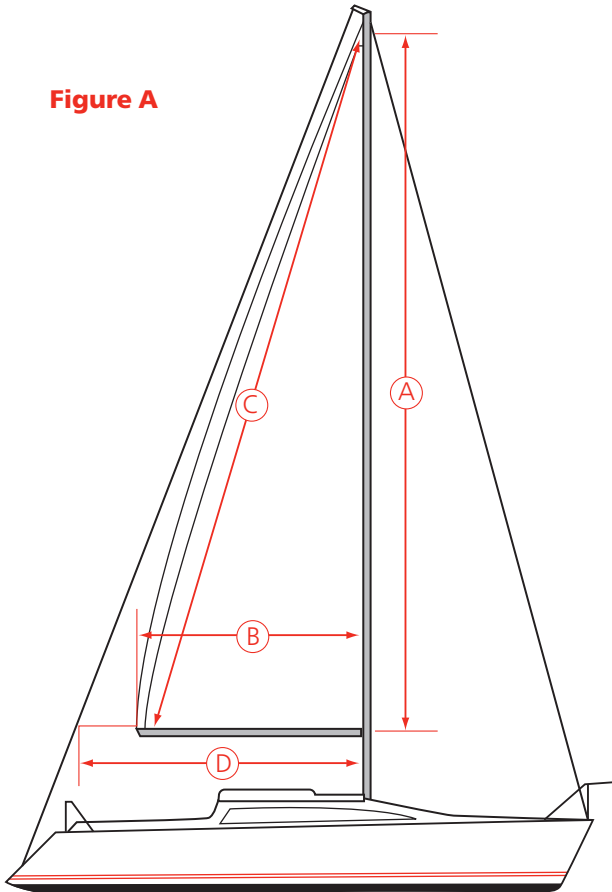
Postcode _____

Telephone _____ email _____

Yacht name/class _____ Yacht location _____

Signature _____ Date _____

Figure A



Overall details

Rig Masthead Fractional _____

Mast manufacturer _____

Boom manufacturer _____

Sail colour _____

Insignia (if required) _____

Sail number (if required) _____

Number of reefs _____

Battens Full 3/4 Short _____

Luff rope diameter _____

Luff sliders (Maker's number*) _____

Foot rope diameter _____

Foot slides (Maker's number*) _____

*If the maker's number is not known, indicate type and dimensions from illustrations below



Figure A dimensions

A Luff (from sheave to top of boom) _____

B Foot (mast to sheave) _____

C Leech length _____

D Backstay from mast at 90° _____

Figure B

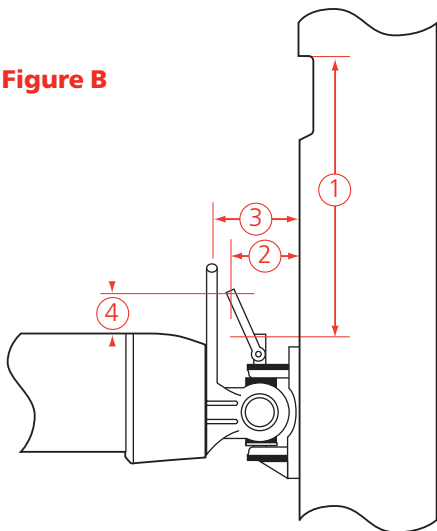


Figure B dimensions

1 Top of boom to mastgate _____

2 Bearing face of shackle to mast _____

3 Reef horn to mast (if applicable) _____

4 Bearing face to shackle to boom top _____

Please call us on 01603 782223 if you have any problems with this form

Headsails

Name _____

Address _____

Postcode _____

Telephone _____ email _____

Yacht name/class _____ Yacht location _____

Signature _____ Date _____

Fig A title here

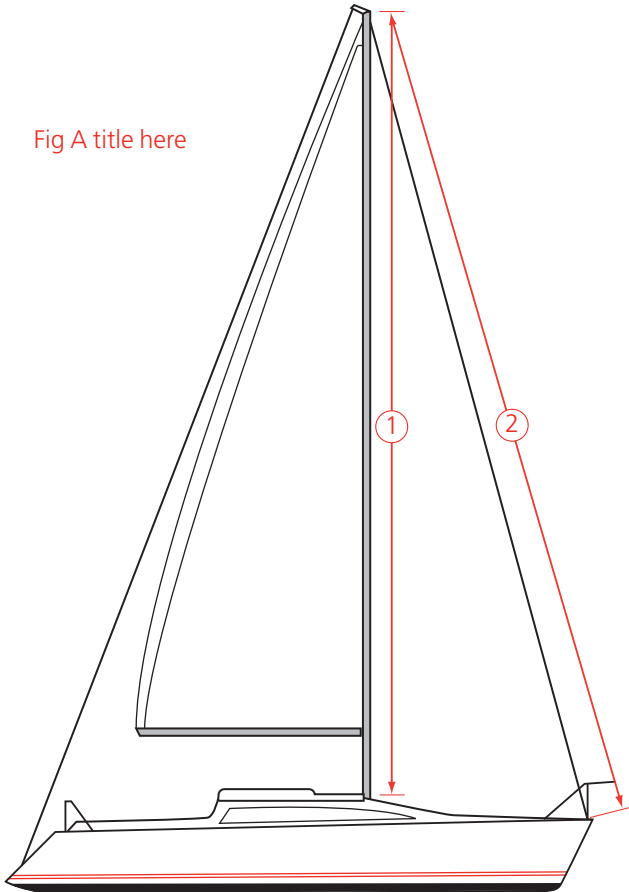


Fig A title here

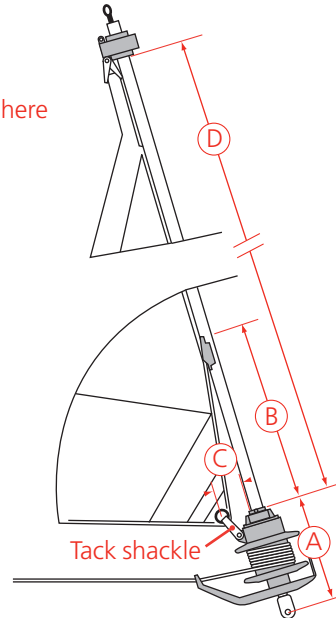
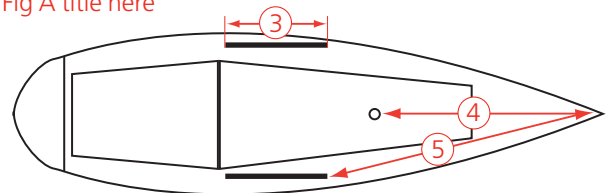


Fig A title here



Overall details

- 1 Maximum hoist of headsail down to base of mast _____
- 2 Pin-to-pin forestay length _____
- 3 Headsail sheeting track length _____
- 4 Bottom of forestay at bow to base of mast _____
- 5 Bottom of forestay at bow to foremost fairlead position _____

Direction reefing gear rotates when being furled
(line and drum viewed from above, please tick)



Sail for roller reefing

- A Forestay pin at stemhead to tack _____
- B Tack shackle to sail luff rope entry _____
- C Tack shackle to foil _____
- D Head shackle to reef drum shackle _____

Reefing system make and model number* _____

*Diameter of luff rope (if reefing system make and model is not known) _____

We will make allowances for stretch and so forth

Please call us on 01603 782223 if you have any problems with this form

Name _____

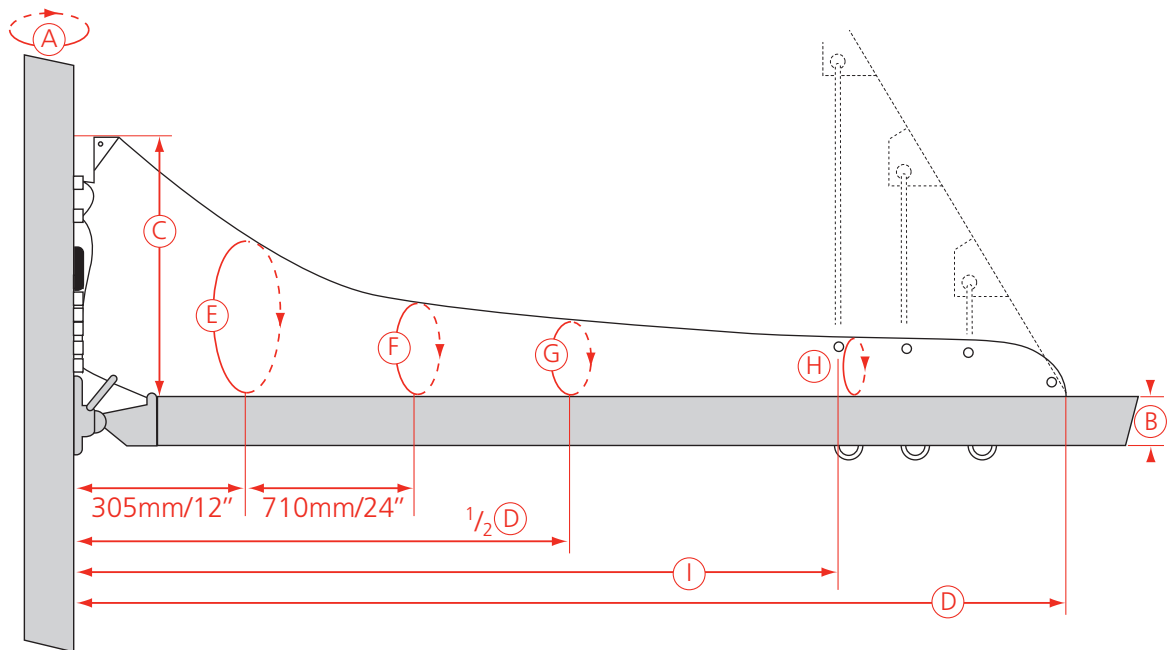
Address _____

Postcode _____

Telephone _____ email _____

Yacht name/class _____ Yacht location _____

Signature _____ Date _____



Mainsail

Battens Full 3/4 Short

Reefs 1 2 3

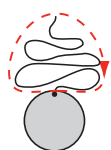
Foot Loose foot Foot rope

Mast and boom

A Circumference of mast _____

B Depth of boom _____

Measuring for the Mainmate



Measure the circumference of the stowed sail for C, D, F, G and H as shown left.

Measurements are to be taken with sail stowed above boom as normal.

Mainsail when stored on boom

C Height of mainsail at headboard when stowed _____

D Back of mast to clew _____

E Circumference of mainsail above boom 305mm (12") from mast _____

F Circumference of mainsail above boom 710mm (24") from mast _____

G Circumference of mainsail above boom 1/2 D from mast _____

H Circumference of mainsail E - 305mm (12") from clew _____

I Distance of top reefing baile from mast _____

Please call us on 01603 782223 if you have any problems with this form

Spinnakers and cruising chutes

Please use this sheet to colour in your cruising chute or spinnaker to the design of your choice

Name _____

Address _____

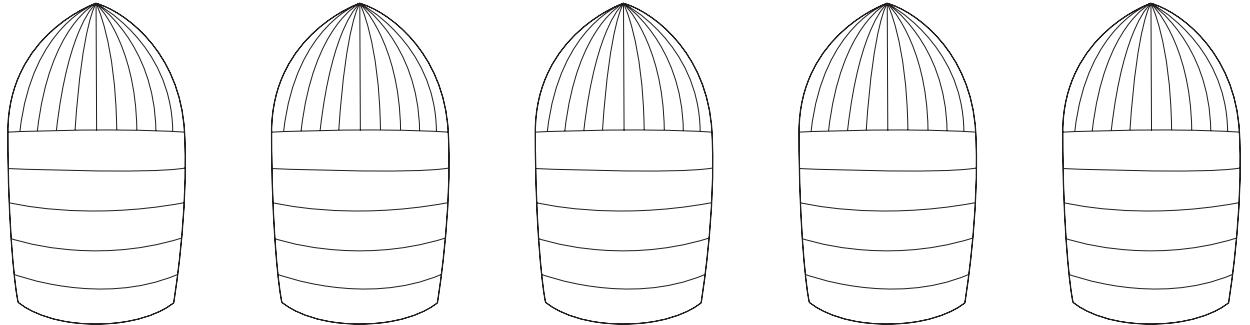
Postcode _____

Telephone _____ email _____

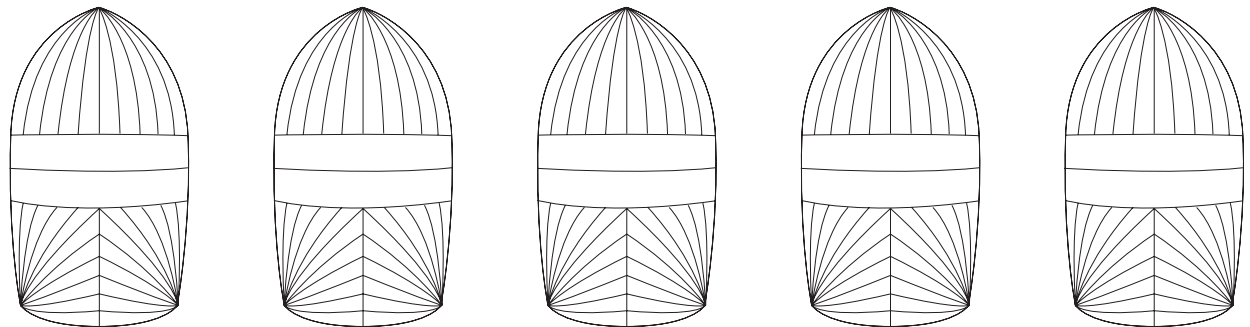
Yacht name/class _____ Yacht location _____

Signature _____ Date _____

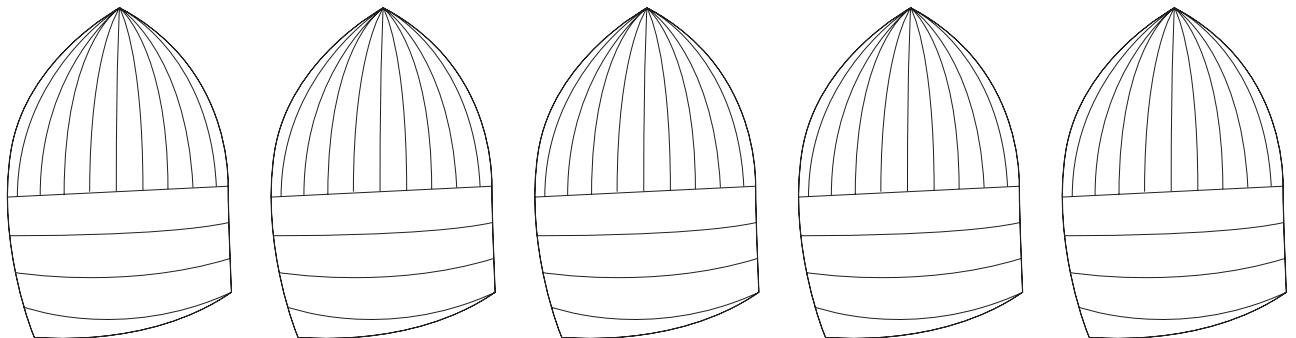
Radial spinnaker



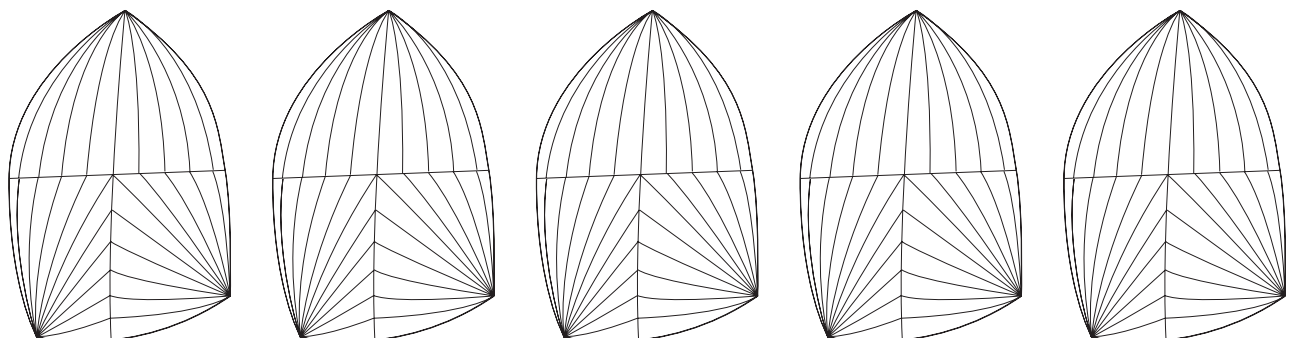
Tri-radial spinnaker



Radial cruising chute



Tri-radial cruising chute



Please note all panel layouts are approximate

Please call us on 01603 782223 if you have any problems with this form